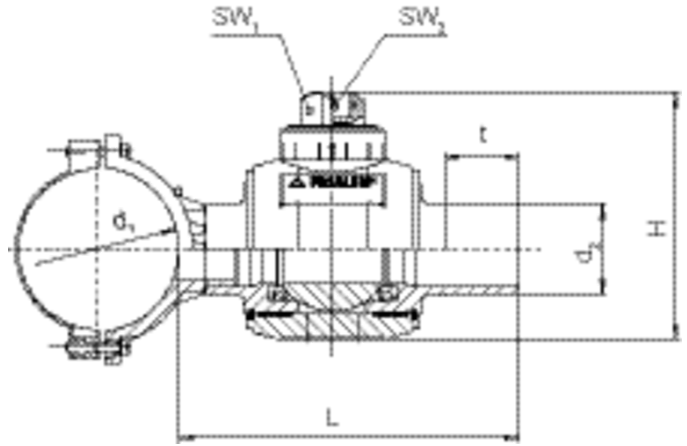


AKHP

Tapping Ball Valves in HD-PE, 1/4 turn, for side tapping under pressure



PE 100 SDR 11

Maximum working pressure 10 bar (gas)



SKU	d ₁	d ₂	BX	PU	L	t	sw1	sw2	H	Drilling Ø d _α	Weight kg
615427	110	63	6	48	330	110	50 x 50	25	180	42	3,070
615428	110	90	4	32	335	90	50 x 50	25	240	60	4,670
615431	125	90	4	32	335	90	50 x 50	25	240	60	4,790
615433	160	63	4	32	330	110	50 x 50	25	180	42	3,300
615434	160	90	4	32	335	90	50 x 50	25	240	60	5,000
615437	180	90	4	32	335	90	50 x 50	25	240	60	5,000
615440	225	90	4	32	335	90	50 x 50	25	240	60	5,000

FRIALEN-Tapping Ball Valves can be used for pipes of SDR stages 11 to 17.6. DVGW-Registration Nos. AKHP: DG-8631AU2252 and DG-8631AU2253

For tapping of pipes under pressure we recommend tapping equipment of Hütz + Baumgarten.

AKHP

Tapping Ball Valves in HD-PE, 1/4 turn, for side tapping under pressure

Areas of Application

The FRIALEN-Tapping Ball Valve, completely made from HD-PE, makes it possible to tap sideways into an operational HD-PE mains under gas and water pressure (no drinking water!) – without any escape of gas or water.

Assembly Instructions

The fusion of FRIALEN Tapping Ball Valves to the HD-PE main takes place by FRIALEN fusing – leakproof and longitudinally strong. The pipe and the saddle have to be prepared (oxide layer removal/cleaning) in accordance with the general installation instructions (see „Assembly Instructions“ for FRIALEN Safety Fittings for house connections and distribution pipes up to d 225).

Tapping of the HD-PE pipe under operating pressure

For this we recommend the tapping equipment of Hütz + Baumgarten. It is clamped onto the exposed fusion end of the ball valve. The tapping of the HD-PE pipe takes place through the opened ball valve and is leakage free.

AKHP

Tapping Ball Valves in HD-PE, 1/4 turn, for side tapping under pressure

Actuating the shut-off valve

By the telescopic actuating installation kit KBS from the valve cover.

Good reasons for using the FRIALEN-Tapping Ball Valves:

- Fusioning and tapping under pressure saves time-consuming and expensive shut-offs and emergency supply during the integration
- Installation of mains and service lines takes place on one level and thus affords advantages in the planning stages
- Construction and connecting works are reduced to a minimum
- The ball valve can be used as a shut-off device afterwards
- Additional barcode for tracing back the underground fitting (Traceability-Coding)