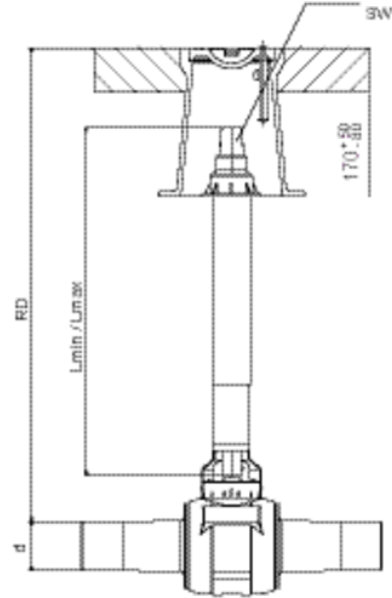


Installation kits for Ball Valves and Tapping Ball Valves (Standard and Top-Loading)



SKU	d	RD in m	BX	PU	l_{min}	l_{max}	sw1	SW	Weight kg
615741	20-50	0,45-0,70	1	42	398	543	30	30	1,800
615957	20-50	0,60-1,00	1	42	548	843	14	14	2,700
615328	20-50	0,60-1,00	1	42	490	785	30	30	2,000
616466	20-50	1,00-1,50	1	42	759	1303	14	14	3,400
615330	20-50	1,00-1,50	1	42	799	1343	30	30	3,400
616068	20-50	1,20-2,00	1	42	991	1785	14	14	3,450
615329	20-50	1,20-2,00	1	42	1049	1843	30	30	3,650
615958	63-225	0,60-1,00	1	42	537	812	14	14	2,050
615310	63-225	0,60-1,00	1	42	490	785	30	30	3,050
616467	63-225	1,00-1,50	1	42	746	1272	14	14	4,150
615331	63-225	1,00-1,50	1	42	786	1312	30	30	4,150
616069	63-225	1,20-2,00	1	42	980	1754	14	14	3,600
615311	63-225	1,20-2,00	1	42	1038	1812	30	30	5,250

¹ Solid fit of the pipe sleeve socket due to the covered housing design.

Key width SW₁ 14 mm for use as house connection fitting

Other length on request.

For full-port passage ball valve KH d50 select version BS d63-225

KBS

Installation kits for Ball Valves and Tapping Ball Valves (Standard and Top-Loading)

Areas of Application

Telescopic actuating linkage for operation of the FRIALEN KHP, KH, KHW, AKHP und AKHP-TL from the street cap.

Assembly Instructions

Before fusion, the FRIALEN KHP, KH, KHW, AKHP and AKHP-TL must be aligned to suit the type of actuation intended, in order to ensure that the installation kit KBS will seat correctly.

KBS

Installation kits for Ball Valves and Tapping Ball Valves (Standard and Top-Loading)

Good reasons for using the FRIALEN-Installation kits KBS:

- Protective pipe of polyethylene protects from intrusion of sand or soil
- Assembly without tools
- Self supporting in any extended position
- Safe from being pulled out
- Corrosion proof
- Telescope assembly set can be adjusted even once in place and filled
- Constructive harmonizing of the transferable torque onto the FRIALEN-Ball Valve
- Connection pins made from stainless steel
- Coloured marking disk for use with gas and water
- Parts of the protective pipe are fully welded together