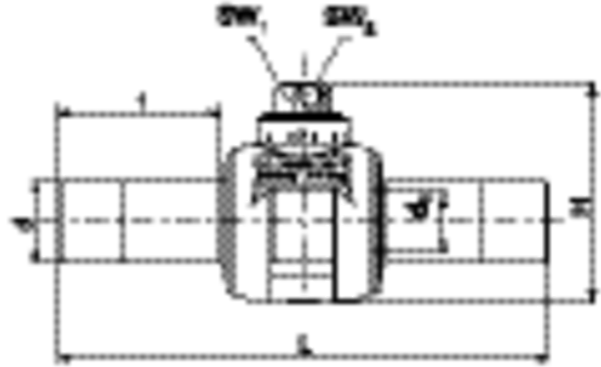


Ball Valves in HD-PE with NBR-sealing, 1/4-Turn



PE 100 SDR 11

Maximum working pressure 10 bar (gas)



SKU	d	d ₁	BX	PU	L	t	sw1	sw2	H	Weight kg
612490	32	24	1	170	310	96	50 x 50	20	136	0,540
612497	40	24	1	170	310	96	50 x 50	20	136	0,580
612492	50	24	1	170	310	96	50 x 50	20	136	0,680
612494	63	43	1	50	410	128	50 x 50	25	193	2,300
612495	90	67	1	24	553	154	50 x 50	25	241	4,200
612493	110	67	1	24	553	154	50 x 50	25	241	4,500
612496	125	67	1	24	553	154	50 x 50	25	241	5,200
612483	160	98	1	8	539	202	50 x 50	25	332	12,000
615309	180	98	1	8	539	202	50 x 50	25	332	12,500
612480	200	98	1	8	539	202	50 x 50	25	332	13,500
616186	225	98	1	8	539	202	50 x 50	25	332	14,500

FRIALEN-Safety Fittings can be fused to pipes of SDR-stages 11 to 17.6. Minimum wall thickness s min ≥ 3 mm. Other SDR-stages on request. Please observe the marking directly at the product, which is mandatory. DVGW-Registration Nos.: DG-8631AU2251, DG-8631AU2252 and DG-8631AU2253

KHP

Ball Valves in HD-PE with NBR-sealing, 1/4-Turn

Areas of Application

The FRIALEN-Ball Valve KHP with NBR-sealing is suitable for shutting off sections of the main and also for isolating house connection pipes. The Ball Valve KHP can be applied in pipe systems for gas and water supply (no drinking water!) and for compressed air.

The Ball Valve KHP is opened and closed by a 1/4-turn with the installation kit KBS. The installation kit allows the operation from the street cap and is optimal adapted to the FRIALEN-Ball Valve KHP. For further information see this data sheet page 2. or data sheet installation kit KBS No. 22/00.

Assembly Instructions

The FRIALEN-Ball Valve KHP is connected to the pipe by using Couplers, Elbows or T-Pieces fused to its ends. It is suitable both for shutting off sections of the main and also for isolating house connection pipes.

The connection with HD-PE pipes takes place by FRIALEN-fusing – leakproof and longitudinally strong.

The spigot ends to be fused are prepared according to the general installation instructions (see "Assembly Instructions" for "FRIALEN-Safety Fittings for house connections and distribution pipes up to d 225"). This involves removing the oxide layer and cleaning the pipe ends.

Before fusion the FRIALEN-Ball Valve KHP must be lined up to suit the type of actuation intended, in order to ensure that the installation kit KBS will be placed correctly.

KHP

Ball Valves in HD-PE with NBR-sealing, 1/4-Turn

Good reasons for using the FRIALEN-Ball Valve KHP:

- The FRIALEN-Ball Valve provides a completely fused HD-PE pipe network, without transitions to other materials or flange connections
- Another step towards a pure PE-pipe system
- Floating ball, axial seals in the ball axle and combination of ball guidance and ball seal in one part compensate for bending defects
- No deposits on internal areas, resistant to chemical and electrical reactions
- No corrosion proofing required
- Particularly little pressure loss, optimum flow speed
- Low activating element, low weight
- Extra long spigot ends dimensioned for two fusion operations
- Actuating of the KHP with the telescopic installation kit KBS
- Additional barcode for tracing back the underground fitting (Traceability-Coding)