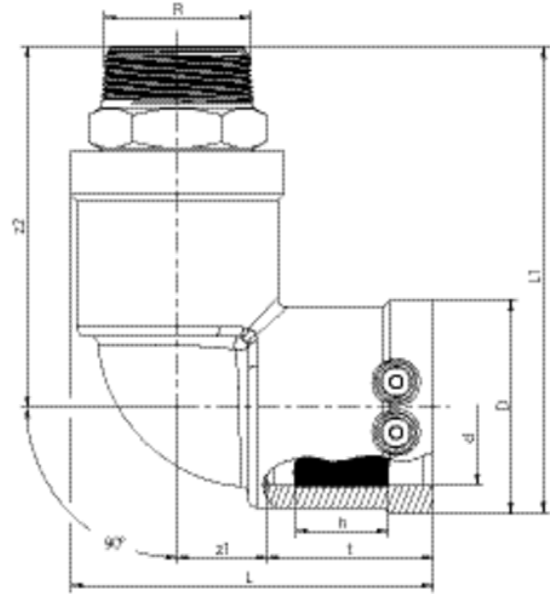


WUN V2A 90

Transition Elbows 90° HD-PE/Stainless steel with male thread



PE 100 SDR 11

Maximum working pressure 16 bar (water)



| SKU | d | BX | PU | D | R | L | t | z ₁ | z ₂ | h | Weight kg |
|--------|----|----|-----|----|--------|-----|------|----------------|----------------|------|-----------|
| 616514 | 40 | 15 | 750 | 58 | 1" | 102 | 45,5 | 27 | 101,00 | 30 | 0,540 |
| 612148 | 40 | 15 | 750 | 58 | 1 1/2" | 102 | 45,5 | 27 | 104,00 | 30 | 0,535 |
| 612118 | 50 | 10 | 600 | 70 | 1 1/2" | 118 | 53 | 30 | 113,00 | 29,8 | 0,650 |
| 612186 | 63 | 10 | 320 | 84 | 1 1/2" | 128 | 53 | 33 | 116,00 | 35 | 0,980 |
| 616515 | 63 | 10 | 320 | 84 | 2" | 128 | 53 | 33 | 121,00 | 35 | 0,950 |

¹ minimum order quantity = 1 packaging unit

Other thread sizes on request

FRIALEN safety fittings can be fused to pipes SDR11 – SDR 17,6, minimum wall thickness $s_{min} \geq 3$ mm. Other SDR-stages on request. Please observe the marking directly at the product, which is mandatory.

DVGW-Registration Nos. DV-7501AU2256 and DV-7501AU2257

WUN V2A 90

Transition Elbows 90° HD-PE/Stainless steel with male thread

Areas of Application

FRIALEN-Transition Elbows WUN-V2A 90° are threaded joints as an adaptor from a metal pipe with internal thread to a HD-PE pipe. Joint on the part of HDPE by FRIALEN-Coupler. The threaded joint is made of stainless steel (Material St. 1.4305 / X8CrNiS18-9).

Assembly Instructions

During assembly, only a spanner applied to the provided metal hexagon must be used to screw the component into its metal counterpart. The fusion of the HD-PE side takes place by FRIALEN-fusing – leakproof and longitudinally strong.

The installation of the stainless steel and the HD-PE side has to be prepared according to the general installation instructions (see "Transition Fittings with threaded connection" in "Assembly Instructions" for "FRIALEN-Safety Fittings for house connections and distribution pipes up to d 225"). This involves removing the oxide skin and cleaning the pipe ends.

WUN V2A 90

Transition Elbows 90° HD-PE/Stainless steel with male thread

Good reasons for using the FRIALEN-Transition Elbows WUN-V2A 90°:

- Compact construction
- HD-PE side with exposed heating element for optimal heat transfer
- Cold zones at the end to prevent the flow of molten material
- No holding clamps required
- Large insertion depth, extra wide fusion zones
- Stainless steel end permanently anchored in the HD-PE and will not distort
- Self sealing patented sealing geometry without elastomer seal
- Additional barcode for tracing back the underground fitting (Traceability-Coding)
- Threaded joint made of stainless steel (St. 1.4305) = resistant to corrosion
- Suitable for usage in high humidity environment or in industrial area