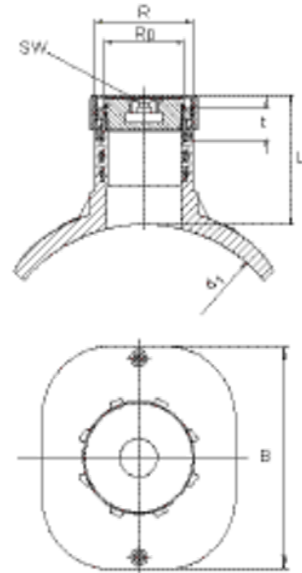


SPA TL

Balloon Shut off Saddles Top-Loading



PE 100 SDR 11

Maximum working pressure 16 bar (water)/10 bar (gas)



| SKU | d ₁ | R _p | BX | PU | R | L | t | B | SW | Drilling Ø d _a | Weight kg |
|--------|----------------|----------------|----|-----|---------|-----|----|-----|----|------------------------------|-----------|
| 615395 | 250-315 (560) | G 2 | 18 | 144 | G 2 1/2 | 115 | 24 | 200 | 19 | 56,5 | 1,358 |

FRIALEN-Safety Fittings can be fused to pipes of SDR stages 11 to 17.6. Other SDR-stages on request. Please observe the marking directly at the product, which is mandatory. DVGW-Registration No.: DV-8611AU2250

1) d₁ up to d 560. Please refer to the instructions of the manufacturer of the balloon.

SPA TL

Balloon Shut off Saddles Top-Loading

Areas of Application

FRIALEN-Shut off Saddle SPA-TL is suitable for normal commercial shut off equipment.

Assembly Instructions

The saddle is clamped onto the pipe with the FRIATOP clamping device (see pricelist "Technical Equipment"). Please read the "Assembly and Operating Instructions for FRIATOP clamping unit (Top-Loading)".

The fusion of the HD-PE mains and the FRIALEN-Shut off Saddle Top-Loading takes place by FRIALEN-fusing – leakproof and longitudinally strong.

The pipe and the saddle have to be prepared according to the general installation instructions (see Assembly Instructions for "FRIALEN-Large Pipe Technique for laying large pipes and relining pipe networks"). This involves removing the oxide skin and cleaning the pipe covered by the saddle.

SPA TL

Balloon Shut off Saddles Top-Loading

Good reasons for using the FRIALEN-Shut off Saddle SPA-TL:

- Compact construction
- HD-PE saddle with exposed heating element for optimal heat transfer
- Compact part suitable for normal commercial shut off equipment for tapping through the saddle
- Brass-guide thread permanently and immovable anchored in the HD-PE
- Includes brass plug with square recess
- Protection against access to the dome by fusing on a FRIALEN SPAK
- The SPA-TL can be applied universally to large HD-PE pipe diameters d 250-315 (560). This means additional economy due to less material needed and less stock both with suppliers and trade
- Additional barcode for tracing back the underground fitting (Traceability-Coding).