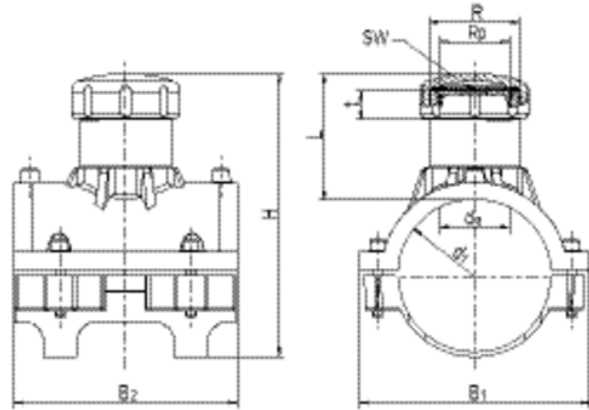


SPA

Balloon Shut off Saddles



PE 100 SDR 11

Maximum working pressure 16 bar (water)/10 bar (gas)



SKU	d ₁	R _p	BX	PU	R	L	t	H	B1	B2	Drilling Ø d _a	Weight kg
612753	63	G 1 1/8	20	360	G 1 1/2	80	19	151	108	118	31,0	0,610
612677	90	G 2	16	128	G 2 1/2	104	24	197	156	150	56,5	1,380
612750	110	G 2	12	96	G 2 1/2	104	24	217	178	180	56,5	1,540
612751	125	G 2	12	96	G 2 1/2	104	24	232	190	185	56,5	1,710
612752	160	G 2	8	64	G 2 1/2	104	24	267	230	195	56,5	1,860
612754	180	G 2	7	56	G 2 1/2	104	24	287	235	195	56,5	1,860
612755	200	G 2	6	48	G 2 1/2	104	24	307	252	193	56,5	1,830
612756	225	G 2	5	40	G 2 1/2	104	24	332	258	193	56,5	1,850

¹ Shut off Saddles d 63 may only be processed using pipes up to SDR 11.

FRIALEN-Shut off Saddles from d 90 can be fused to pipes of SDR stages 11 to 17.6. Minimum wall thickness s min ≥ 3 mm. Other SDR-stages on request. Please observe the marking directly at the product, which is mandatory. DVGW-Registration No.: DV-8601AU2248, DV-8606AU2249

SPA

Balloon Shut off Saddles

Areas of Application

FRIALEN-Shut off Saddles SPA are suitable for blocking media by the use of commercial shut off equipment or for vending/flushing.

Assembly Instructions

The fusion of the HD-PE mains and the FRIALEN-Shut off Saddle takes place by FRIALEN-fusing – leakproof and longitudinally strong.

The pipe and the saddle have to be prepared according to the general installation instructions (see "Assembly Instructions" for "FRIALEN-Safety Fittings for house connections and distribution pipes up to d225"). This involves removing the oxide skin and cleaning the pipe covered by the saddle.

SPA

Balloon Shut off Saddles

Good reasons for using the FRIALEN-Shut off Saddles SPA:

- Compact construction
- HD-PE saddle with exposed heating element for optimal heat transfer
- Compact part suitable for normal commercial shut off equipment and for tapping of the mainpipe
- Long and solid brass-external thread for a safe connection of the shut off equipment
- Brass-internal thread for a safe sealing by using a plug, permanently and immovable anchored in the HD-PE
- Includes brass plugs with square recess
- Protection against access to the dome by fusing on a FRIALEN SPAK or K
- DVGW registered
- Additional barcode for tracing back the underground fitting (Traceability-Coding)