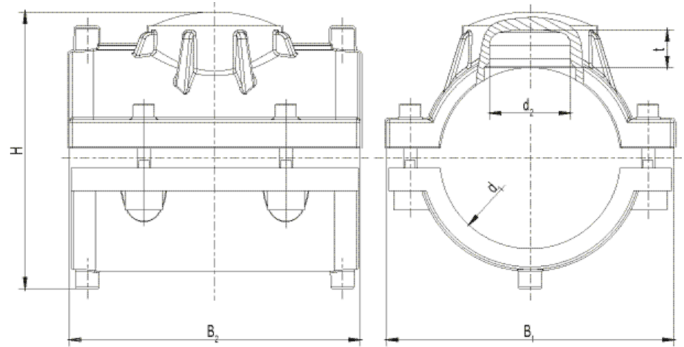


RSV

Repair and Reinforcing Saddles



PE 100 SDR 11

Maximum working pressure 16 bar (water) / 10 bar (gas)



SKU	d ₁	d ₂	BX	PU	t	H	B1	B2	Weight kg
615164	90	50	24	192	21	148	155	150	0,920
615165	110	50	16	128	21	170	178	180	1,162
615166	125	50	15	120	21	183	190	185	1,360
615168	160	50	10	80	21	218	225	195	1,670
615169	180	50	6	48	21	238	240	195	1,810
615170	200	50	5	40	21	258	250	195	1,820
615171	225	50	5	40	21	283	255	195	1,900

FRIALEN-Safety Fittings can be fused to pipes of SDR stages 11 to 17.6. Other SDR-stages on request. Please observe the marking directly at the product, which is mandatory. DVGW-Registration No.: DV-8606AU2249

RSV

Repair and Reinforcing Saddles

Areas of Application

The FRIALEN-Repair and Reinforcing Saddles are used for the repair of minor pipe damages.

Assembly Instructions

The fusion of the HD-PE pipe with the FRIALEN-Repair and Reinforcing Saddle takes place by FRIALEN-fusing – leakproof and longitudinally strong.

In order to avoid discharge of media, the leak has to be sealed with a separate plug ($\leq d_2$).

Both HD-PE saddles have to be prepared according to the general installation instructions (see "Assembly Instructions" for "FRIALEN-Safety Fittings for house connections and distribution pipes up to d 225"). This includes removing the oxide layer and cleaning the pipe covered by the saddles.

RSV

Repair and Reinforcing Saddles

Good reasons for using the FRIALEN-VVS:

- Compact construction
- HD-PE saddle with exposed heating element for optimal heat transfer
- Sealing area free of heating wires
- Preassembled unit without loose parts
- Extra wide fusion zone
- Additional barcode for tracing back the fitting (Traceability-Coding)