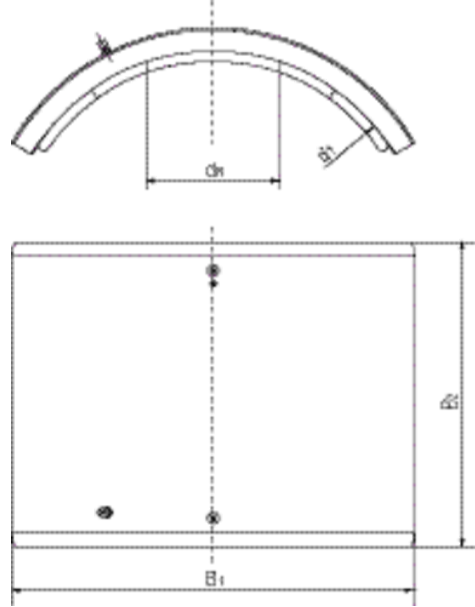
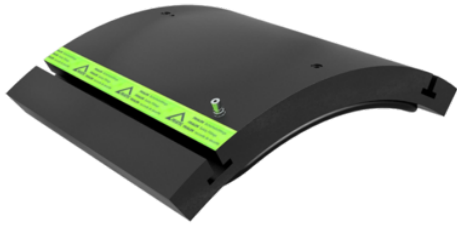


# RS VL

## Repair Saddle RS VL



PE 100 SDR 17

Maximum working pressure 10 bar (water) / 5 bar (gas)



SKU	d <sub>1</sub>	BX	PU	product.detail.attribute.repairArea	B1	B2	Weight kg
616366	500	1	4	230	521	530	13,600
616367	560	1	4	230	577	530	14,300
616368	630	1	4	230	634	530	15,000
616369	710	1	4	230	712	530	18,900
616370	800	1	4	230	643	530	15,800
616371	900	1	4	230	714	530	17,600
616372	1000	1	4	230	654	530	16,400
616379	1200	1	2	230	655	530	16,250

## RS VL

### Repair Saddle RS VL

For the repair of damages such as scratches, grooves or pipe penetration. Compact fitting made of HD-PE. Saddle with exposed heating element for optimal heat transfer.

The RS VL repair saddle is assembled using the FRIATOOLS vacuum pump (see application picture; order no. 613827) and the corresponding FRIATOOLS plunger (see FRIATOOLS product range). The damage must be within the specified repair area  $d_R$  and may not be covered by the fusion zone.

Version SDR11 (MOP 10 / PN 16) available on request.